

COMMUNICATION & CONTROL

BROADEST PRODUCT RANGE

Alpha utilizes its broad range of quality hook-up wires in the supply of Communications and Control Cables used for low voltage signal transmission. Considering the unique electrical, chemical and environmental properties for each specific cable type, the proper wires are selected and combined individually or in twisted pairs under a common protective sheath. Configurations range from simple unshielded multiconductor audio and control cables to individually shielded multipair computer cables with controlled impedance and capacitance.

ADVANCED CABLE DESIGN

The growing sophistication of the electronics industry continues to create a need for specially designed cables for use with computer-controlled electrical and electronic equipment. To satisfy requirements for impedance matching, lower bit error rates, lower cross-talk, longer transmission distances and high signal purity (EMI/RFI), Alpha is supplying an expanding family of Communications and Control Cables – in a full range of sizes, colors, insulations and shield types for installation in normal indoor environments.

179

LOGICAL SECTION LAYOUT

Alpha's extensive product selection is designed to put reliability at your fingertips and is arranged in a logical manner for your ordering convenience.

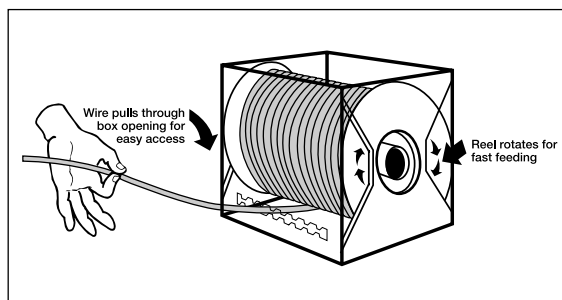
In this section, Alpha Communication and Control Cables are divided into multiconductor and multipair cables. Each category is sub-divided into unshielded and shielded constructions. The shielded products are separated by shield type.

For your convenience we sub-divided even further the plenum multiconductor and multipair cables. Fire alarm cables also categorized to make it easy to locate these special products.

AVAILABILITY

Alpha offers excellent quality, exceptional packaging and "on-the-shelf" inventory.

Alpha Communication and Control Cables are available in several categories of reels and cartons. The availability section on each page will help you to quickly identify the put-up you require. Many products are available in our Alpha QWIK – REEL® configuration.



COMMUNICATION & CONTROL

MULTICONDUCTOR, FOIL/BRAID SHIELD
SR-PVC/PVC

UL TYPE CM
UL AWM STYLE 2464, CSA CMG FT4
RoHS COMPLIANT, 300 VOLT

APPLICATIONS

- EIA RS-232C Interface
- CAD/CAM Applications

CHARACTERISTICS

OPERATING TEMPERATURE:

- -20°C to 80°C – AWM
- 75°C – CM

VOLTAGE RATING:

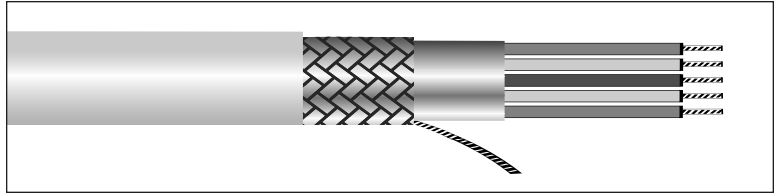
- 300 Volt

COLOR DESCRIPTION:

- Color Code: Items Marked with *: Chart F Page 376.
All Other Part No's: See Color Code Chart Below
- Jacket Color: Gray

PRODUCT DESCRIPTION:

- Conductor: Stranded Tinned Copper
- Insulation: Color-Coded Semi-Rigid PVC
- Shield: Aluminum/Polyester, Foil Facing Out Plus Overall Braid of Tinned Copper (65% Coverage)
- Drain Wire: 24 AWG, 7/32 Tinned Copper
- Jacket: PVC



24 AWG (0,23mm²), **7/32** (7x0,20mm), Insulation Thickness: **0.010"** (0,25mm)

Alpha Part No.	No. of Cond.	Jacket Thickness		Diameter		Nominal Capacitance			
		Inches	mm	Inches	mm	CDR to CDR		CDR to CDR+Shield	
						PF/FT	PF/M	PF/FT	PF/M
6327	3	0.032	0,81	0.190	4,8	35	115	65	213
6328	4	0.032	0,81	0.200	5,0	35	115	65	213
6329	5	0.032	0,81	0.215	5,4	35	115	65	213
6330	6	0.032	0,81	0.225	5,8	30	98.4	55	180
6331	7	0.032	0,81	0.228	5,8	30	98.4	55	180
6332	8	0.032	0,81	0.240	6,1	30	98.4	55	180
6333	9	0.032	0,81	0.254	6,4	30	98.4	55	180
6334	10	0.032	0,81	0.270	6,8	30	98.4	55	180
6335*	15	0.032	0,81	0.300	7,6	30	98.4	55	180
6336*	25	0.032	0,81	0.372	9,4	30	98.4	55	180
6337*	37	0.032	0,81	0.412	10,4	30	98.4	55	180
6338*	50	0.032	0,81	0.486	12,4	30	98.4	55	180

22 AWG (0,35mm²), **7/30** (7x0,25mm), Insulation Thickness: **0.010"** (0,25mm)

Alpha Part No.	No. of Cond.	Jacket Thickness		Diameter		Nominal Capacitance			
		Inches	mm	Inches	mm	CDR to CDR		CDR to CDR+Shield	
						PF/FT	PF/M	PF/FT	PF/M
6339	3	0.032	0,81	0.203	5,1	37	121	67	220
6340	4	0.032	0,81	0.215	5,4	37	121	67	220
6341	5	0.032	0,81	0.231	5,8	37	121	67	220
6342	6	0.032	0,81	0.245	6,2	35	115	63	207
6343	7	0.032	0,81	0.245	6,2	35	115	63	207
6344	8	0.032	0,81	0.260	6,6	35	115	63	207
6345	9	0.032	0,81	0.280	7,1	35	115	63	207
6346	10	0.032	0,81	0.300	7,6	35	115	63	207
6347*	15	0.032	0,81	0.340	8,6	35	115	63	207
6348*	25	0.032	0,81	0.410	10,4	35	115	63	207
6349*	37	0.032	0,81	0.460	11,6	35	115	63	207
6350*	50	0.032	0,81	0.555	14,1	35	115	63	207

SPECIFICATIONS

- UL Type CM
- UL AWM Style 2464
- CSA CMG FT4
- RoHS Compliant



AVAILABILITY

- 1000 ft (305m), 500 ft (152m),
100 ft (30,5m) put-ups

COLOR CODE CHART

Cond. No.	Color	Cond. No.	Color
1	Black	6	Blue
2	White	7	Orange
3	Red	8	Yellow
4	Green	9	Violet
5	Brown	10	Gray

TECHNICAL DATA

COLOR CODE CHARTS

MULTICONDUCTOR CABLES AND COMBINATION GAUGES

376

CHART F			
No.	Color	No.	Color
1	Black	14	Green/White
2	White	15	Blue/White
3	Red	16	Black/Red
4	Green	17	White/Red
5	Orange	18	Orange/Red
6	Blue	19	Blue/Red
7	White/Black	20	Red/Green
8	Red/Black	21	Orange/Green
9	Green/Black	22	Black/White/Red
10	Orange/Black	23	White/Black/Red
11	Blue/Black	24	Red/Black/White
12	Black/White	25	Green/Black/White
13	Red/White	26	Orange/Black/White
		27	Blue/Black/White
		28	Black/Red/Green
		29	White/Red/Green
		30	Red/Black/Green
		31	Green/Black/Orange
		32	Orange/Black/Green
		33	Blue/White/Orange
		34	Black/White/Orange
		35	White/Red/Orange
		36	Orange/White/Blue
		37	White/Red/Blue
		38	Black/White/Green
		39	White/Black/Green
		40	Red/White/Green
		41	Green/White/Blue
		42	Orange/Red/Green
		43	Blue/Red/Green
		44	Black/White/Blue
		45	White/Black/Blue
		46	Red/White/Blue
		47	Green/Orange/Red
		48	Orange/Red/Blue
		49	Blue/Red/Orange
		50	Black/Orange/Red

CHART G			
No.	Color	No.	Color
1	White	5	Yellow
2	Black	6	Blue
3	Red	7	Brown
4	Green	8	Orange
		9	Slate
		10	Violet
		11	White/Black
		12	White/Brown
		13	White/Red
		14	White/Orange
		15	White/Yellow

CHART H			
No.	Color	No.	Color
1	Black	6	Blue
2	White	7	Brown
3	Red	8	Orange
4	Green	9	Slate
5	Yellow	10	Purple
		11	White/Black
		12	White/Red
		13	White/Green
		14	White/Yellow
		15	White/Blue
		16	White/Brown
		17	White/Purple
		18	White/Slate
		19	Black/Red
		20	Black/Yellow

CHART I Combination Gauges	#18 AWG – Black, Red #22 AWG – Green, White, Brown, Blue, Orange, Yellow
-------------------------------	---

CHART J ICEA K-2 (COLORED COMPOUND WITH TRACERS)					
No.	Base Color	Tracer Color	No.	Base Color	Tracer Color
1	Black	...	13	Blue	Red
2	Red	...	14	Orange	Red
3	Blue	...	15	Yellow	Red
4	Orange	...	16	Brown	Red
5	Yellow	...	17	Black	Blue
6	Brown	...	18	Red	Blue
7	Red	Black	19	Orange	Blue
8	Blue	Black	20	Yellow	Blue
9	Orange	Black	21	Brown	Blue
10	Yellow	Black	22	Black	Orange
11	Brown	Black	23	Red	Orange
12	Black	Red	24	Blue	Orange
			25	Yellow	Orange
			26	Brown	Orange
			27	Black	Yellow
			28	Red	Yellow
			29	Blue	Yellow
			30	Orange	Yellow
			31	Brown	Yellow
			32	Black	Brown
			33	Red	Brown
			34	Blue	Brown
			36	Yellow	Brown
			35	Orange	Brown

NOTE: No Green or White Conductors or Stripes are present.